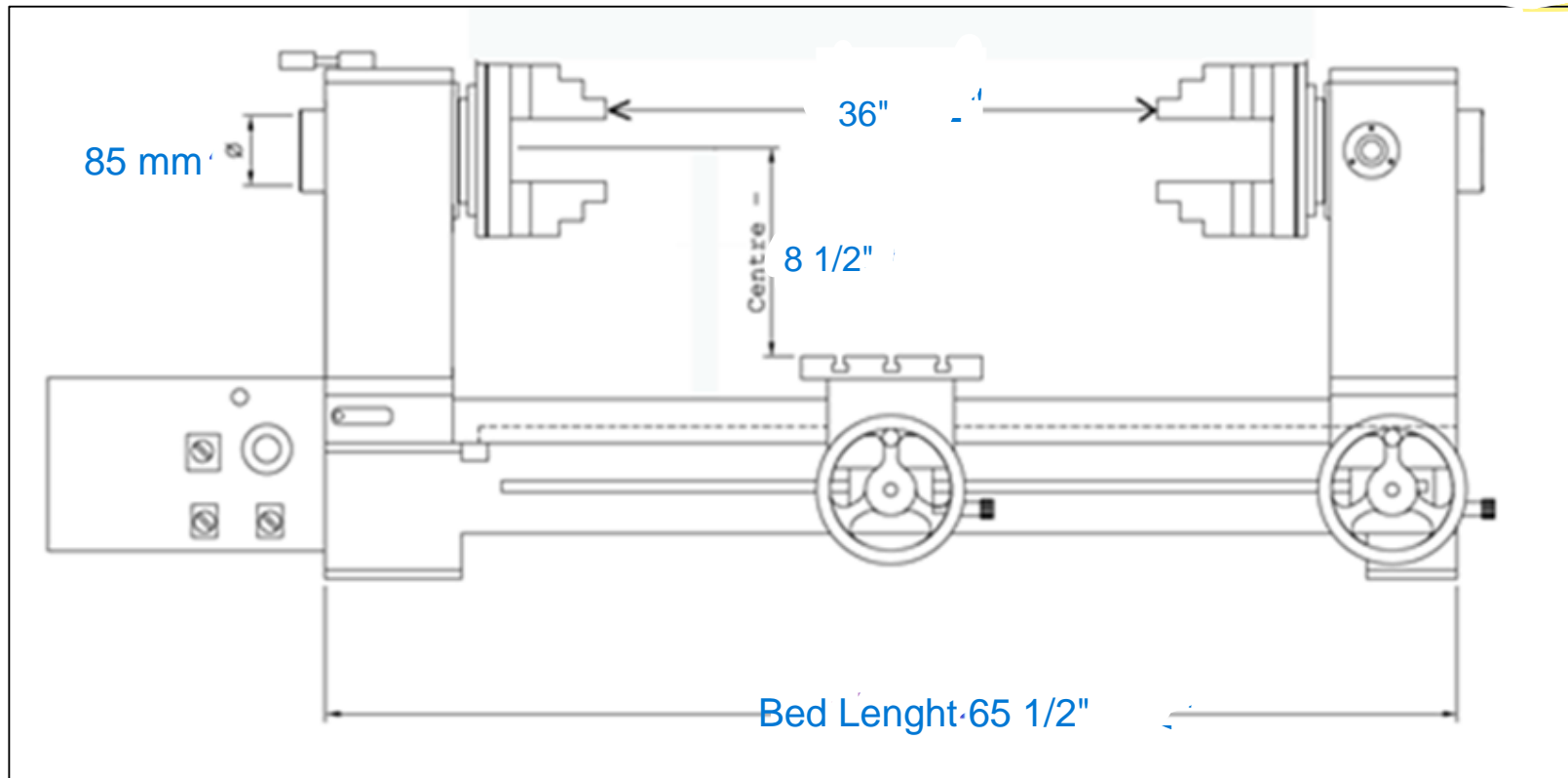


## Double Chuck Lath Machine for Glass Manufacturing:



Frequency = 50 Hz

Input Voltage = 110 Vol

Check Concentricity =  $\leq 0.05\text{mm}$

Speed Controller 0 to 1540 RPM