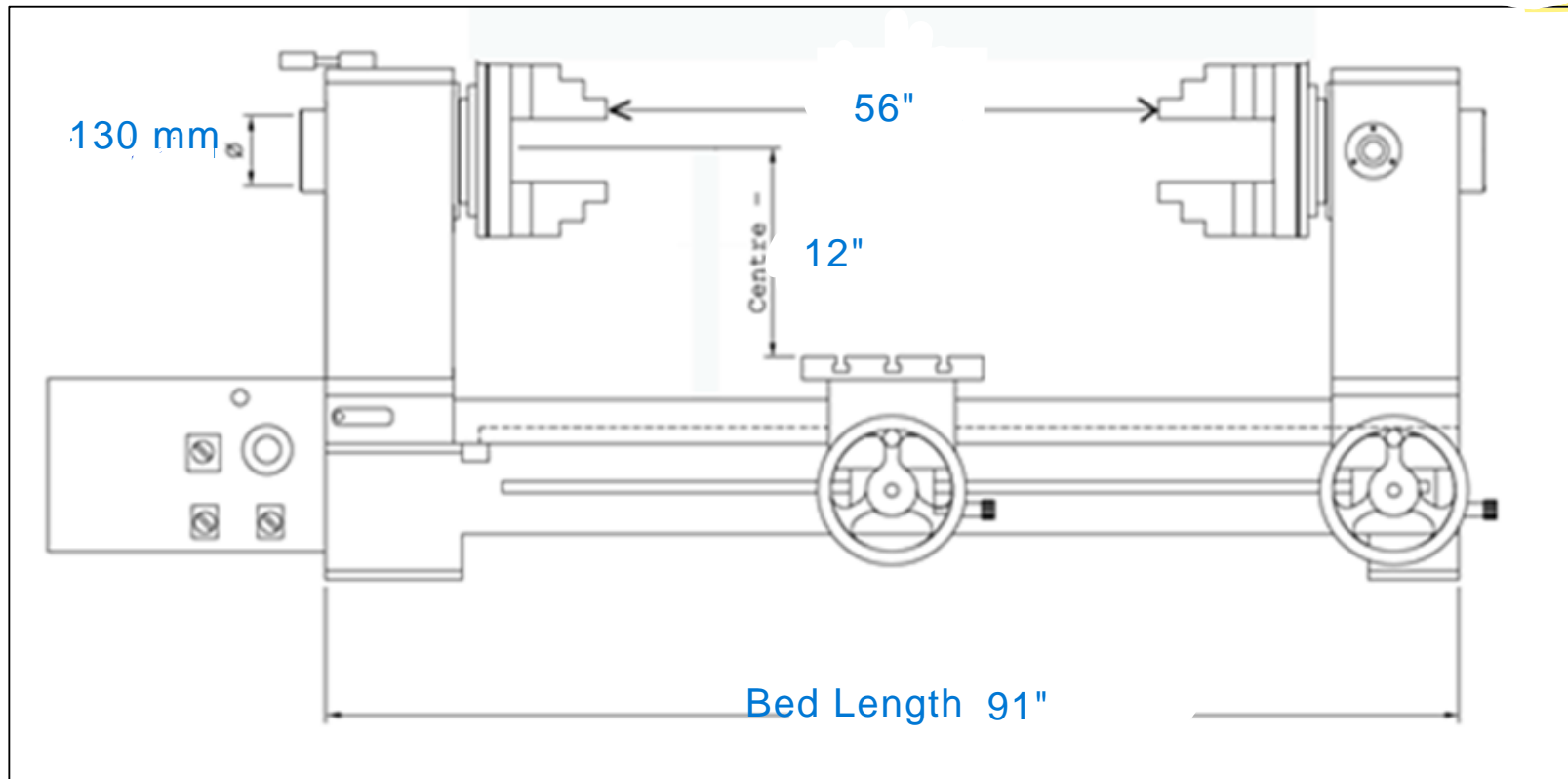


Double Chuck Lath Machine for Glass Manufacturing:



Frequency = 50 Hz

Both the chucks move on a single rod --- Chuck teeth closes on Zero

Input Voltage 220 Vol

Check Concentricity = $\leq 0.05\text{mm}$

Speed Controller 0 to 1540 RPM